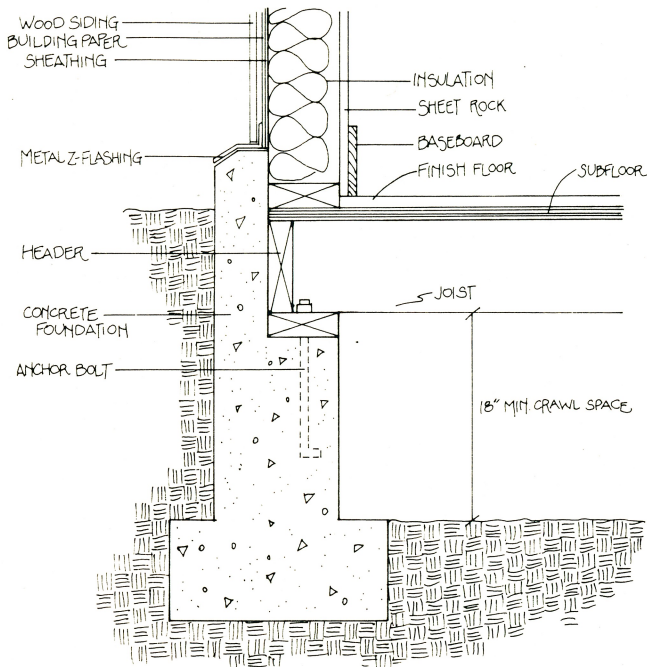
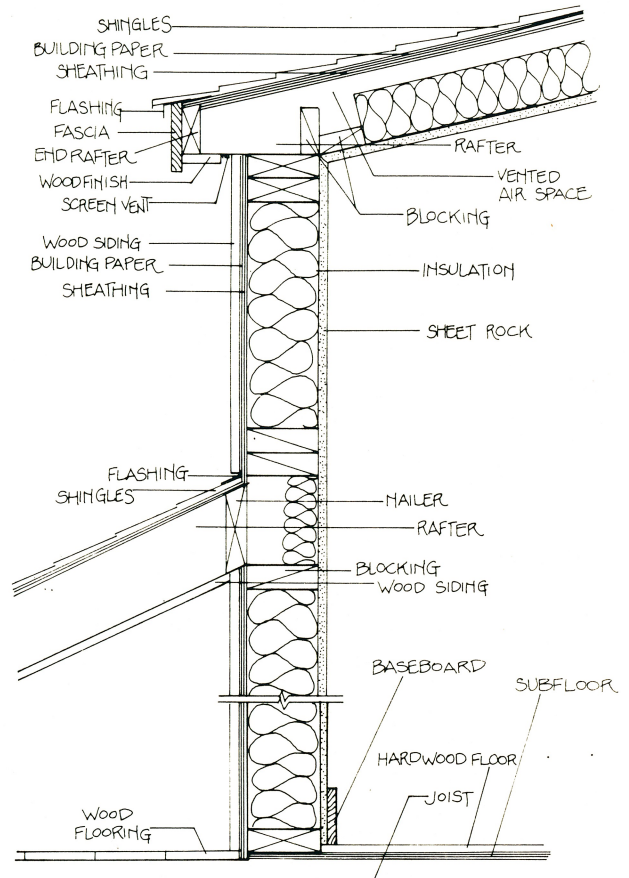


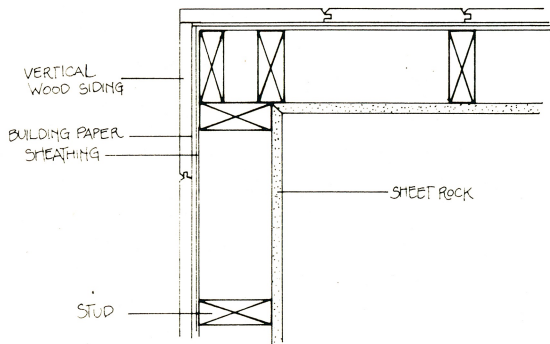
# Section details



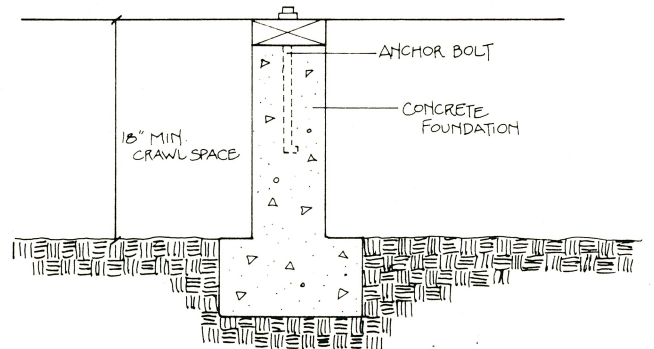
② SECTION: FOUNDATION/CRAWL SPACE



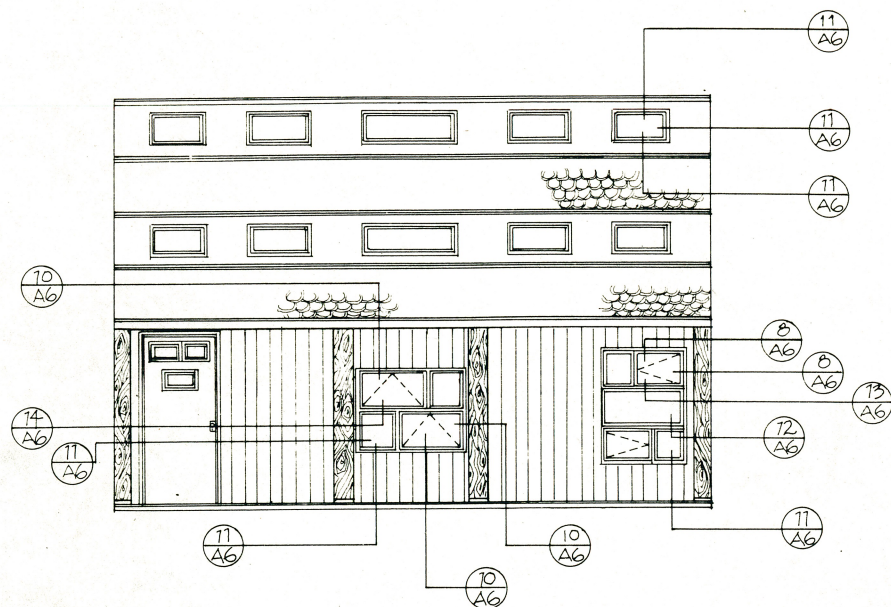
⑤ SECTION: ROOF PEAK/PORCH EAVE/FOUNDATION



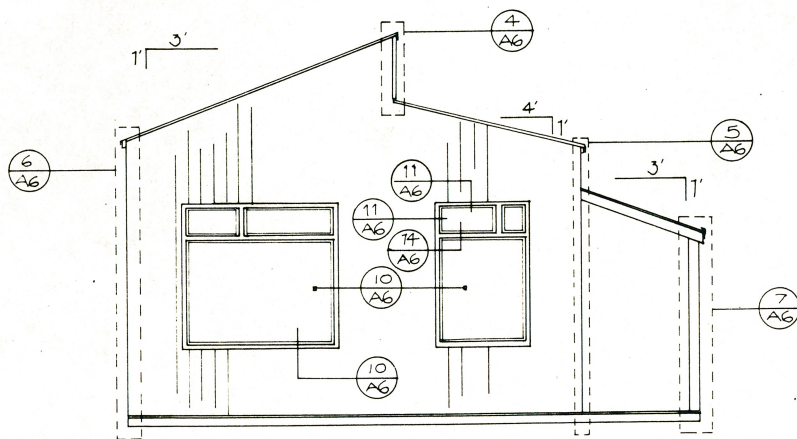
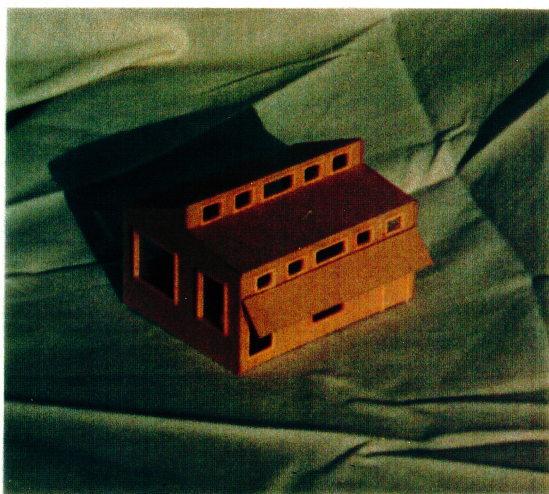
③ SECTION: CORNER DETAIL



Exterior elevations of residences  
with section detail designations



SOUTH ELEVATION



WEST ELEVATION